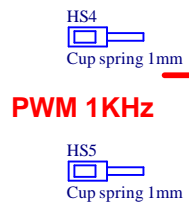
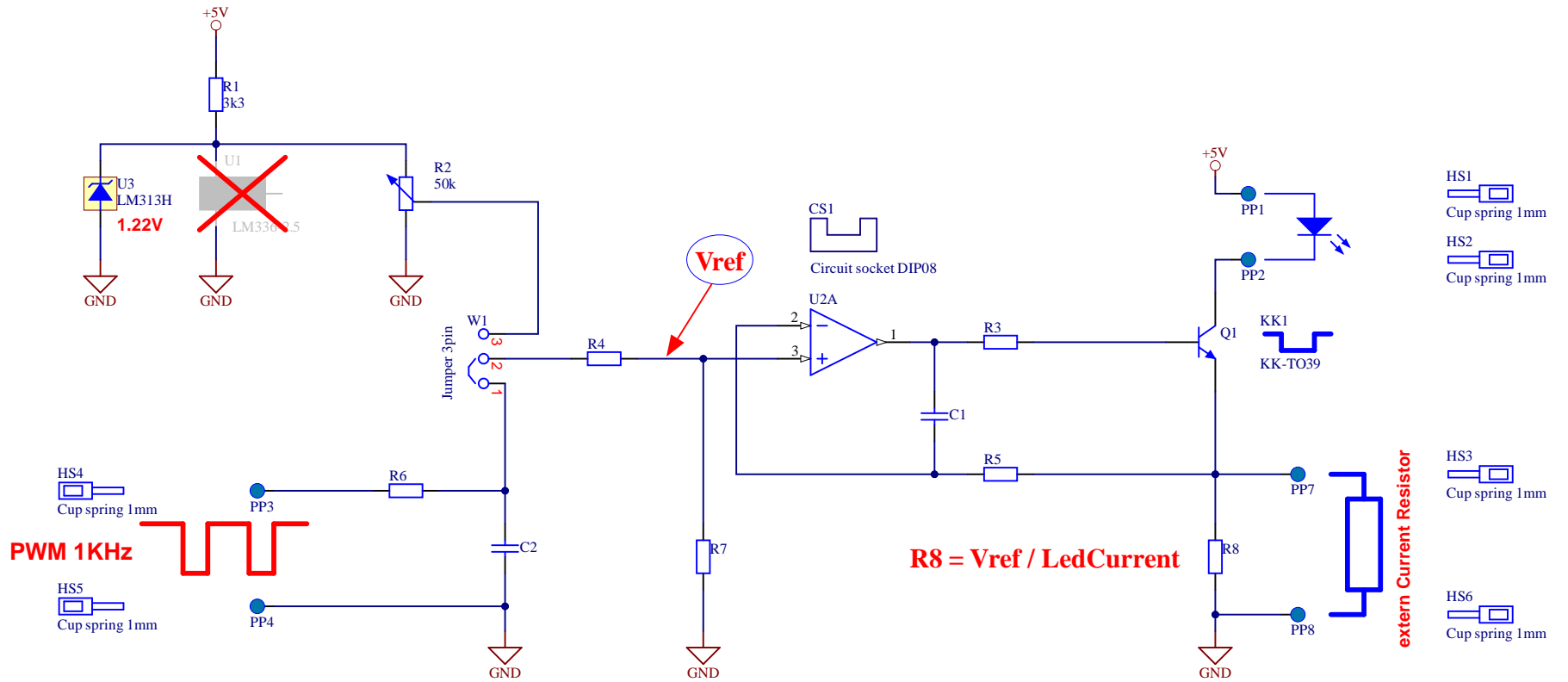
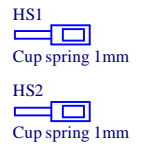


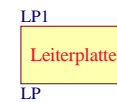
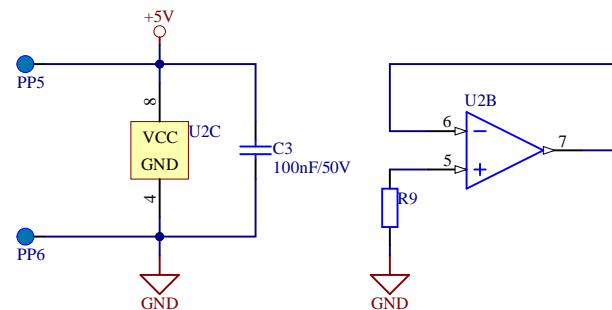
Variant of CCC-V01-Ref-1.22



$R8 = Vref / LedCurrent$



extern Current Resistor



Title Current Control V01		S.Hofmann mcu@shotech.de http://www.shotech.de Revision: 0.0	
Size: A4	Description: *		
Date: 22.02.2026	Time: 01:12:46	Sheet 1 of 1	
File: Current-Control-V01.SchDoc			

